

Date:	Type:
Project Name:	Part Number:

MAKO SERIES

LED VAPOR TIGHT FIXTURE WITH BUILT IN BI-LEVEL DIM SENSOR



BUILT IN SENSOR

DESCRIPTION

Reno linear vapor tight is housed in polycarbonate silicon perimeter gasket with brackets for mounting. Engineered for powerful lighting. The Reno linear vapor tight has an IP65 protection grade and is DLC and UL certified, making it a great lighting solution for your industrial application.

APPLICATIONS

- Parking Area
- Stairwell
- Low Bay Application
- Utility Lighting

The maximum height this fixture can be mounted for optimal sensor function is 12-13ft. If mounted above this height motion will not be detected as precisely

FEATURES

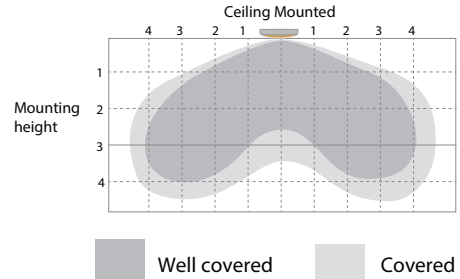
- Surface mount and suspension kit optional
- One-piece polycarbonate housing body and frosted polycarbonate lens
- DLC Premium and UL listed
- All components have UL certification
- Protection Grade IP66
- Operating temperature: -22°F - 122°F
- Dual Voltage 120-347V
- Rated Life. > 70,000 hours
- 10-year Limited warranty
- 0-10V Dimming
- Built in sensor (Default : Dim to 30% after 5 mins)

SPECIFICATION

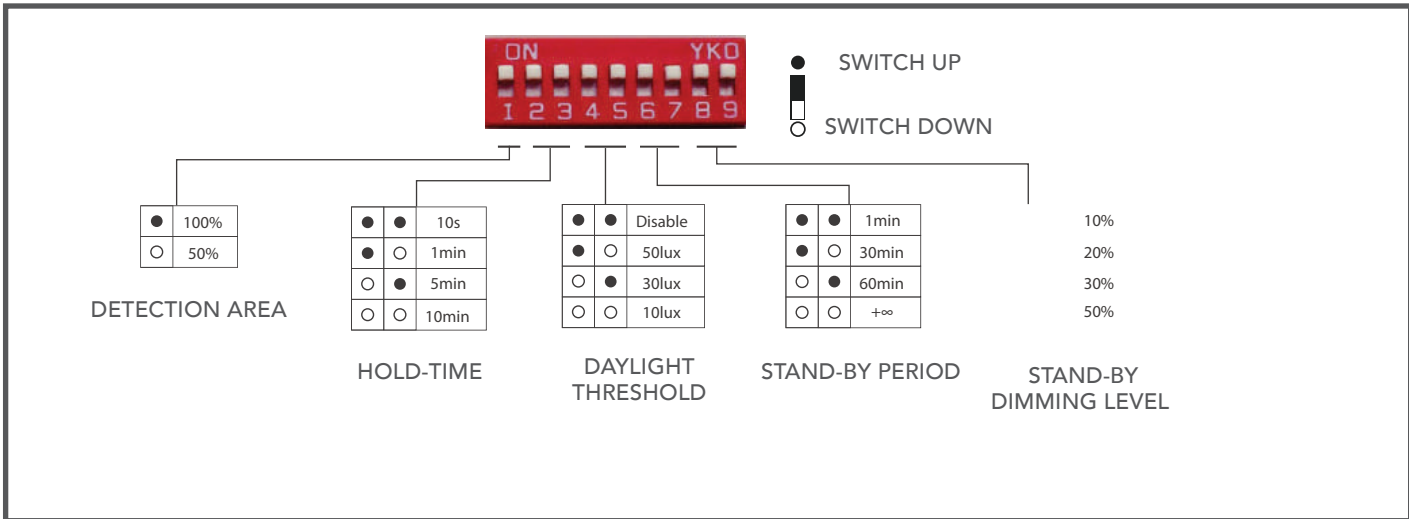
	MODEL#	LUMENS OUTPUT	EFFICACY (lm/w)	WATTS	VOLTS	POWER FACTOR	CCT	
R33114	RENO-LVP4-DV-MW-MCCT-R1-MS(4FT)	3375/4725/6075	130	25/35/45W	120-347V	0.9	3500K/4000K/5000K	
R33115	RENO-LVP4-DV-MW-MCCT-R2-MS(4FT)	6500/7800/8580	130	50/60/66W	120-347V	0.9	3500K/4000K/5000K	
R73002	RENO-REMOTE-H	CONTROLLER FOR BI_LEVEL SENSOR (OPTIONAL)						

DETECTION COVERAGE

Typical installation height 2.5-4m
 This figure indicates the maximum distance at the highest mounting height with 100% sensitivity.



SETTING



DIMENSION

